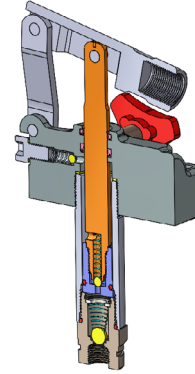
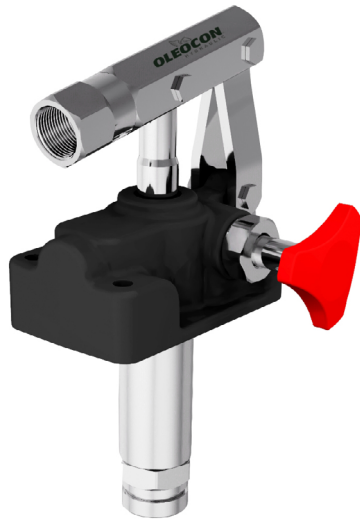


# SINGLE ACTION ONE WAY HAND PUMP



## TECHNICAL FEATURES AND OPTIONS

## 3D SECTION



Working Temperature  
-20 °C / +80 °C



Available Threads  
BSP



Operating Pressure  
Up to 310 Bar



Sealing Description  
NBR



Available Sizes  
25 cc



Material  
GGG40

## MAIN APPLICATIONS



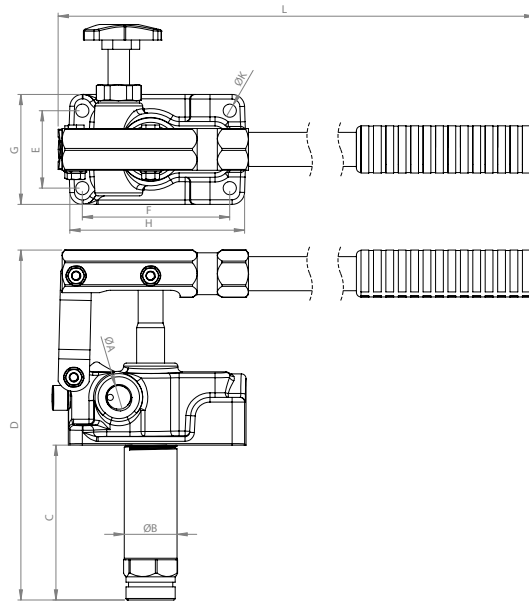
### WARNING

- Please be void of abnormal operating conditions. (For e.g., oscillations, impulse pressures, water hammering, cavitation, and proportions of solid materials and abrasives.)
- Please do not touch the valves at working temperature s lower than -20°C or higher than +50°C
- Please ensure the cleanliness of all connection surfaces to avoid dirt or dust accumulation in the circuit.
- Please ensure the alignment and full connection of the assembly parts.
- Please do not use over the maximum working pressures.
- Please ensure that the OLEOCON product series you have chosen is compatible with the temperature , material, and pressure requirements of your system.
- Please contact with OLEOCON technical support for any further questions.

### INFORMATION

- Single acting hand pumps suitable to operate single acting applications. They can be fitted also into tank and are equipped with tapered lowering valve and with built-in adjustable relief valve.
- These hand pumps can have 2 different sizes to perform various applications and to achieve smoother loads on the lever.
- They are available with nodular cast-iron body zinc plating+sealed and nickel- plated spool.
- Simple to use

## TECHNICAL DRAWING



SIZE	DESCRIPTION	PORT A	DIAMETER		LENGTH						ØK (mm)	Flow (cc)	WEIGHT		PRESSURE					
			mm	inch	mm	inch	mm	inch	mm	inch			mm	inch	kg	lbs	MPa	Psi		
25	OHP-25-1A-1W	G3/8	B	36	1.41	C	105	4.13	E	50	1.96	G	71	2.79	8.5	25	2950	6490	35	5075
			L	560	22.04	D	230	9.05	F	95	3.74	H	115	4.52						