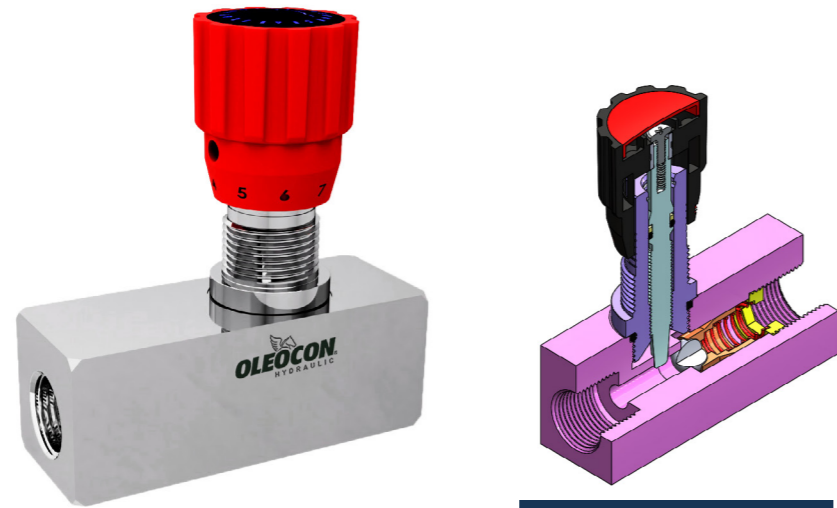







# UNIDIRECTIONAL FLOW CONTROL VALVES - FUV SERIES



[CLICK HERE FOR 3D SECTION](#)

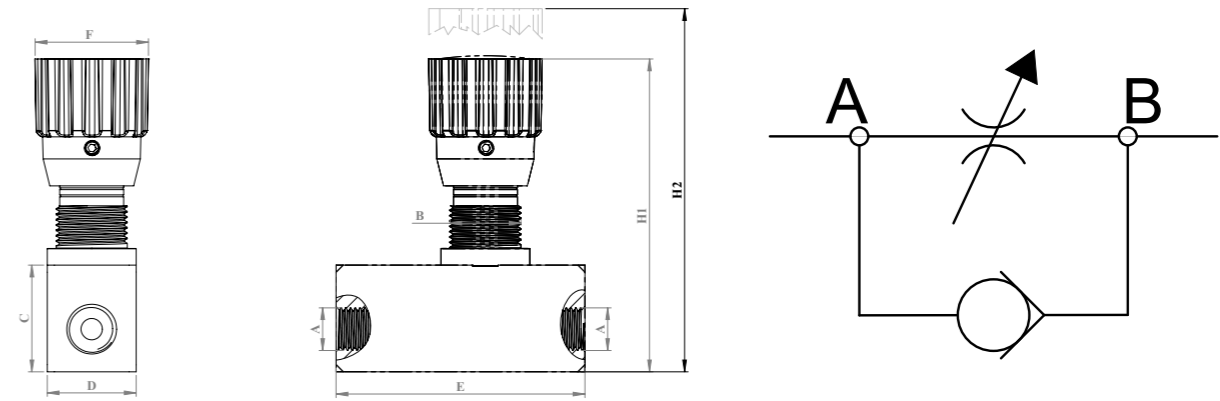
## TECHNICAL FEATURES AND OPTIONS

- 
**Working Temperature**  
 -20 °C / +80 °C
- 
**Material**  
 Carbon Steel
- 
**Operating Pressure**  
 Up to 250 Bar
- 
**Available Threads**  
 BSP - NPT - SAE
- 
**Available Sizes**  
 From 1/4" to 1/2"
- 
**Sealing Description**  
 NBR

## MAIN APPLICATIONS



## TECHNICAL DRAWING



DESCRIPTION	THREAD SIZE(A)	THREAD SIZE (B)	LENGTH								WORKING PREEnsure		RATED FLOW		WEIGHT		
			C	mm	inch	E	mm	inch	H1	mm	inch	MPa	psi	l/min	gpm	kg	lbs
OL-06-FUV-G14	G1/4	M20*1.5	C	30	1.18	E	70	2.75	H1	88	3.46	35	5075	20	5.2	0.55	1.21
			D	25	0.98	F	32	1.25	H2	97	3.81						
OL-06-FUV-NPT14	1/4 NPT	M20*1.5	C	30	1.18	E	70	2.75	H1	88	3.46	35	5075	20	5.2	0.55	1.210
			D	25	0.98	F	32	1.25	H2	97	3.81						
OL-06-FUV-SAE4	7/16 -20UNF	M20*1.5	C	30	1.18	E	70	2.75	H1	88	3.46	35	5075	20	5.2	0.55	1.210
			D	25	0.98	F	32	1.25	H2	97	3.81						
OL-10-FUV-G38	G 3/8	M20*1.5	C	30	1.18	E	80	3.14	H1	88	3.46	35	5075	30	7.9	0.57	1.254
			D	25	0.98	F	32	1.25	H2	97	3.81						
OL-10-FUV-NPT38	3/8 NPT	M20*1.5	C	30	1.18	E	80	3.14	H1	88	3.46	35	5075	30	7.9	0.57	1.254
			D	25	0.98	F	32	1.25	H2	97	3.81						
OL-10-FUV-SAE6	9/16-18 UNF	M20*1.5	C	30	1.18	E	80	3.14	H1	88	3.46	35	5075	30	7.9	0.57	1.254
			D	25	0.98	F	32	1.25	H2	97	3.81						
OL-12-FUV-G12	G 1/2	M22*1.5	C	35	1.37	E	90	3.5	H1	94	3.7	35	5075	50	13.2	0.69	1.518
			D	30	1.18	F	32	1.25	H2	103	4.05						
OL-12-FUV-NPT12	1/2 NPT	M22*1.5	C	35	1.37	E	90	3.5	H1	94	3.7	35	5075	50	13.2	0.69	1.518
			D	30	1.18	F	32	1.25	H2	103	4.05						
OL-12-FUV-SAE8	3/14-16 UNF	M22*1.5	C	35	1.37	E	90	3.5	H1	94	3.7	35	5075	50	13.2	0.69	1.518
			D	30	1.18	F	32	1.25	H2	103	4.05						

INFORMATION

- FUV Series Hydraulic Unidirectional Flow Control Valves regulate the flow rate in one direction, while allowing free flow in the opposite direction.
- The control knob enables reliable and easy flow adjustment.
- The setscrew on the knob locks the position of the knob and prevents the position changes due to vibration.
- They are widely used, especially in industrial units and elevating work platforms, since they provide precise control of the flow rate.

WARNING

- Please do not expose to abnormal operating conditions. (E.g. oscillations, impulse pressures, water hammering, cavitation, and proportions of solid materials and abrasives)
- Please do not touch the valve, when the working temperature is lower than -20°C or higher than +50°C.
- Make sure the system pressure is below the maximum working pressure.
- Please ensure the cleanliness of all connection surfaces to avoid dirt or dust accumulation in the circuit.
- Please ensure the alignment and full connection of the assembly parts.
- Please ensure that the OLEOCON product you have chosen is compatible with the temperature, material and pressure requirements of your system.
- Please contact OLEOCON technical support for any further questions.