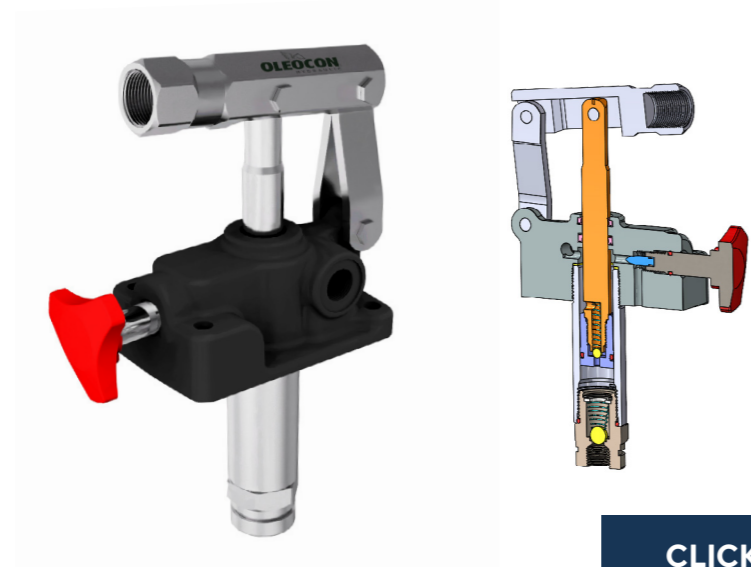


DOUBLE ACTION ONE WAY HAND PUMP

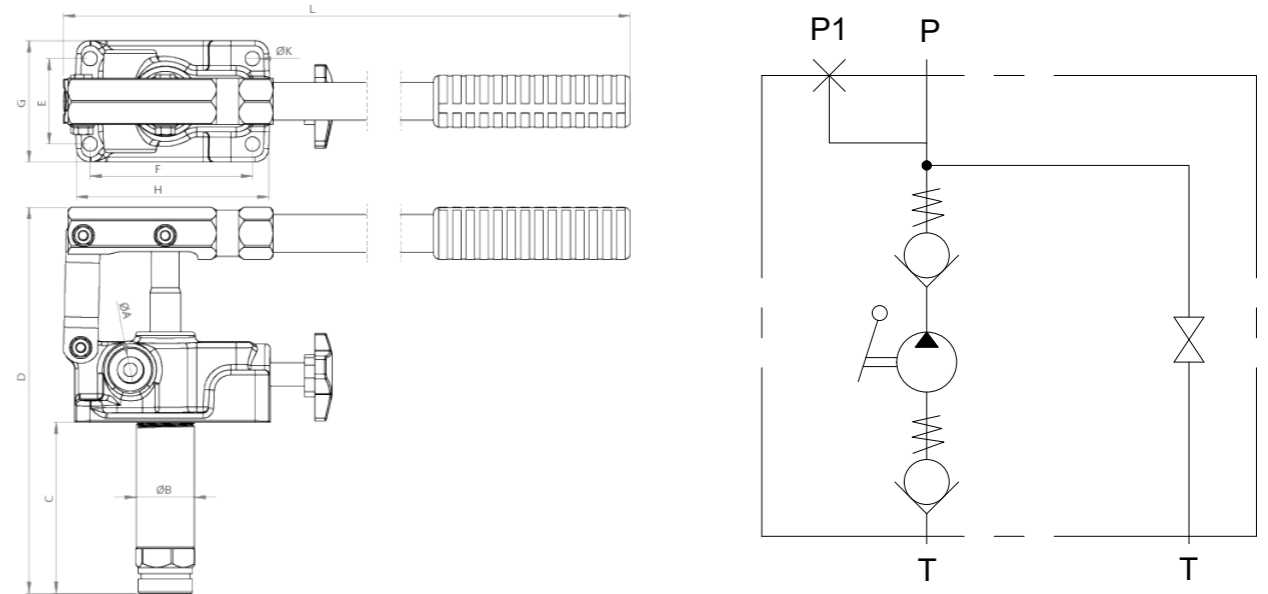


[CLICK HERE FOR 3D SECTION](#)

TECHNICAL FEATURES AND OPTIONS

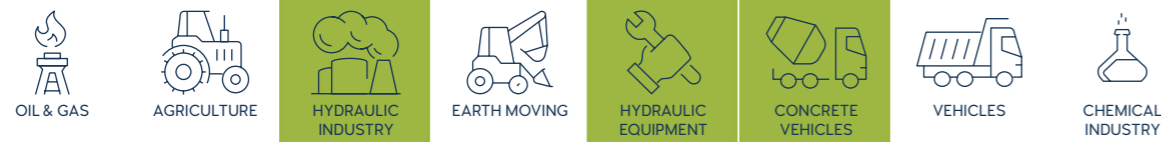
- Working Temperature**
-20 °C / +80 °C
- Available Threads**
BSP
- Operating Pressure**
Up to 310 Bar
- Sealing Description**
NBR
- Available Sizes**
25 cc to 45 cc
- Material**
GGG40

TECHNICAL DRAWING



SIZE	DESCRIPTION	PORT A	DIAMETER		LENGTH						ØK (mm)	Flow (cc)	WEIGHT		PRESSURE					
			mm	inch	mm	inch	mm	inch	mm	inch			kg	lbs	MPa	Psi				
25	OHP-25-2A-1W	G3/8	B	36	1.41	C	105	4.13	E	50	1.96	G	71	2.79	8,5	25	2950	6490	31	4496
			L	560	22.04	D	230	9.05	F	95	3.74	H	115	4.52						
45	OHP-45-2A-1W	G3/8	B	40	1.57	C	115	4.52	E	50	1.96	G	71	2.79	8,5	45	3000	6600	15	2175
			L	560	22.04	D	230	9.05	F	95	3.74	H	115	4.52						

MAIN APPLICATIONS



INFORMATION

- OLEOCON Double Action One Way Hand Pumps are suitable for single acting cylinders.
- They have 2 sizes (25 cc and 45 cc) and 2 handle options, in order to provide precise control over various loads and systems.
- The body is made of cast-iron and the spool is nickel-plated.
- Easy-to-use.

WARNING

- Please do not expose to abnormal operating conditions. (E.g. oscillations, impulse pressures, water hammering, cavitation, and proportions of solid materials and abrasives)
- Please do not touch the product, when the working temperature is lower than -20°C or higher than +50°C.
- Make sure the system pressure is below the maximum working pressure.
- Please ensure the cleanliness of all connection surfaces to avoid dirt or dust accumulation in the circuit.
- Please ensure the alignment and full connection of the assembly parts.
- Please ensure that the OLEOCON product you have chosen is compatible with the temperature, material and pressure requirements of your system.
- Please contact OLEOCON technical support for any further questions.