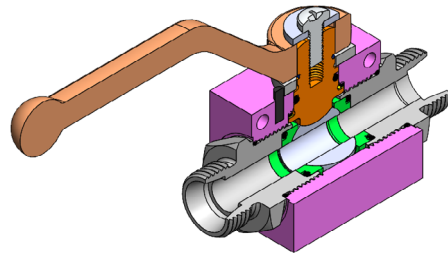
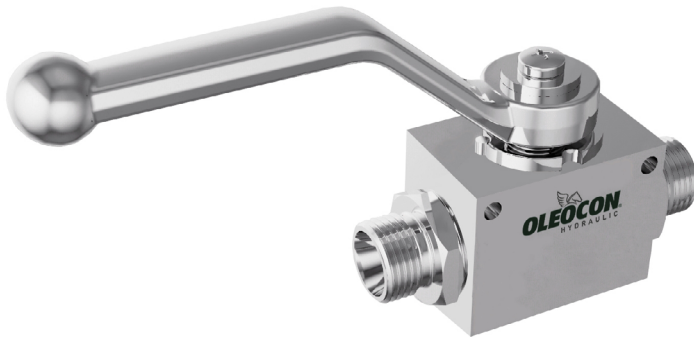


BALL VALVES - KV2 SERIES



TECHNICAL FEATURES AND OPTIONS

3D SECTION



Working Temperature
-20 °C / +80 °C



Material
High Strength
Carbon Steel
Stainless Steel



Operating Pressure
Up to 500 Bar



Available Threads
BSP - NPT - SAE - Metric

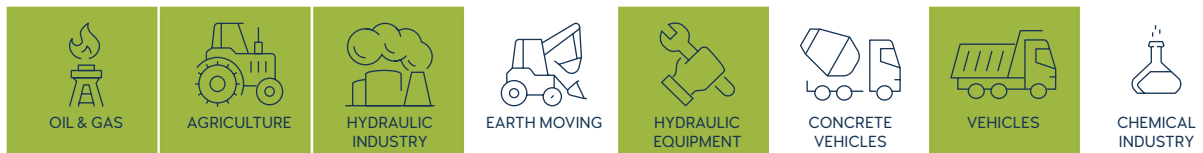


Body Sizes
DN10-25



Sealing Description
NBR - FKM - PTFE - EPDM

MAIN APPLICATIONS



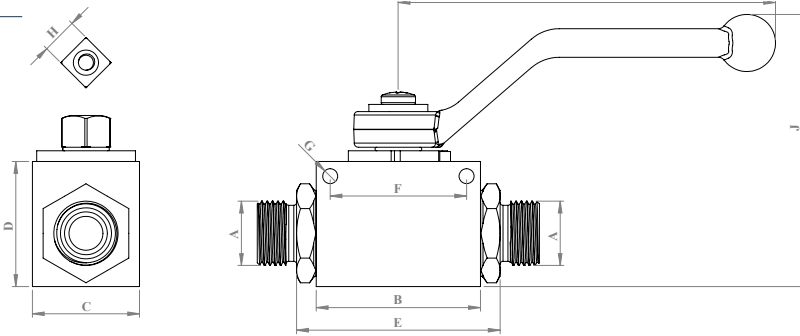
WARNING

- Please ensure that the flow speeds don't go beyond the usual values.
- Please be void of abnormal operating conditions. (For e.g., oscillations, impulse pressures, water hammering, cavitation, and proportions of solid materials and abrasives.)
- Please do not touch the valves at working temperature s lower than -20°C or higher than +50°C
- Please ensure the cleanliness of all connection surfaces to avoid dirt or dust accumulation in the circuit.
- Please ensure the alignment and full connection of the assembly parts.
- Please do not use over the maximum working pressures.
- Please ensure that the OLEOCON product series you have chosen is compatible with the temperature , material, and pressure requirements of your system.
- Please contact with OLEOCON technical support for any further questions.

INFORMATION

- KV2 Series hydraulic 2-Way ball valves are used to either shut-off or open of flow passage and their easy operation provides unrestricted flow.
- Due to their volumetric structure they work rapidly and efficiently and prevent cavitation.
- KV2 Series ball valves can be locked in the open or closed position through locking washer on the circle pin.
- Internal ball is hard chrome coated steel and delrin (POM) seated.

TECHNICAL DRAWING



SIZE DN	DESCRIPTION	A	B		C		D		E		F		G		H		I		J		WEIGHT	
			mm	inch	mm	inch	mm	inch	mm	inch	mm	inch	mm	inch	mm	inch	mm	inch	mm	inch	kg	inch
10	KV2-10L6	M12*1.5	46	1.81	30	1.18	35	1.37	78	3.07	38	1.49	4.2	0.16	10	0.39	108	5.74	76	2.99	0.40	0.88
	KV2-10L8	M14*1.5	46	1.81	30	1.18	35	1.37	78	3.07	38	1.49	4.2	0.16	10	0.39	108	5.74	76	2.99	0.42	0.93
	KV2-10L10	M16*1.5	46	1.81	30	1.18	35	1.37	80	3.14	38	1.49	4.2	0.16	10	0.39	108	5.74	76	2.99	0.43	0.95
	KV2-10L12	M18*1.5	46	1.81	30	1.18	35	1.37	80	3.14	38	1.49	4.2	0.16	10	0.39	108	5.74	76	2.99	0.41	0.91
12,5	KV2-12L15	M22*1.5	51	2	35	1.37	40	1.57	89	3.5	41.5	1.63	5	0.19	10	0.39	108	7.48	82	3.22	0.60	1.33
	KV2-12L18	M26*1.5	51	2	35	1.37	40	1.57	89	3.5	41.5	1.63	5	0.19	10	0.39	108	7.48	82	3.22	0.61	1.35
20	KV2-20L22	M30*2	61	2.4	45	1.77	55	2.16	95	3.74	50	1.96	6.5	0.25	14	0.55	175	8.7	110	4.33	1.25	2.77
25	KV2-25L28	M36*2	71	2.79	55	2.16	60	2.36	131	5.15	58	2.28	6.5	0.25	14	0.55	175	9.17	114	4.48	1.36	3.01
	KV2-25L35	M45*2	71	2.79	55	2.16	60	2.36	133	5.23	58	2.28	6.5	0.25	14	0.55	175	9.44	114	4.48	1.95	4.32
	KV2-25L42	M52*2	71	2.79	55	2.16	60	2.36	148	5.82	58	2.28	6.5	0.25	14	0.55	175	9.56	114	4.48	2.45	5.43

ISO 8434 - 1

SIZE DN	DESCRIPTION	A	B		C		D		E		F		G		H		I		J		WEIGHT	
			mm	inch	mm	inch	mm	inch	mm	inch	mm	inch	mm	inch	mm	inch	mm	inch	mm	inch	kg	inch
10	KV2-10S6	M14*1.5	46	1.81	30	1.18	35	1.37	82	3.22	38	1.49	4.2	0.16	10	0.39	108	5.74	76	2.99	0.45	0.99
	KV2-10S8	M16*1.5	46	1.81	30	1.18	35	1.37	82	3.22	38	1.49	4.2	0.16	10	0.39	108	5.74	76	2.99	0.47	1.04
	KV2-10S10	M18*1.5	46	1.81	30	1.18	35	1.37	82	3.22	38	1.49	4.2	0.16	10	0.39	108	5.74	76	2.99	0.43	0.95
	KV2-10S12	M20*1.5	46	1.81	30	1.18	35	1.37	82	3.22	38	1.49	4.2	0.16	10	0.39	108	5.74	76	2.99	0.44	0.97
12,5	KV2-12S16	M24*1.5	51	2	35	1.37	40	1.57	93	3.66	41.5	1.63	5	0.19	10	0.39	108	7.48	82	3.22	0.62	1.37
20	KV2-20S20	M30*2	61	2.4	45	1.77	55	2.16	99	3.89	50	1.96	6.5	0.25	14	0.55	175	8.7	110	4.33	1.30	2.88
25	KV2-25S25	M36*2	71	2.79	55	2.16	60	2.36	135	5.31	58	2.28	6.5	0.25	14	0.55	175	9.17	114	4.48	1.40	3.10
	KV2-25S30	M42*2	71	2.79	55	2.16	60	2.36	141	5.55	58	2.28	6.5	0.25	14	0.55	175	9.44	114	4.48	2.04	4.52
	KV2-25S38	M52*2	71	2.79	55	2.16	60	2.36	160	6.29	58	2.28	6.5	0.25	14	0.55	175	9.56	114	4.48	2.49	5.52

ISO 8434 - 1

WORKING PRESSURE															
10(6)		10		12		20		25		25 (31,5)		25 (40)			
MPa	Psi	MPa	Psi	MPa	Psi	MPa	Psi	MPa	Psi	MPa	Psi	MPa	Psi		
50	7250	50	7250	50	7250	40	5800	40	5800	35	5075	35	5075		