

POPPET SCREW - QC - EST SERIES



TECHNICAL FEATURES AND OPTIONS

	Locking Mechanism Screw to Connect		Flow Rate Up to 189 l / min		Material Carbon Steel Stainless Steel
	Working Temperature -20 °C / +90 °C		Interchange Market		How to Connect Screw
	Operating Pressure Up to 350 Bar		Available Threads BSP		Under Residual Pressure Connection: Both Side Disconnection: Allowed
	Available Sizes From 3/4" to 1"		Sealing Description NBR - FKM		Valve Type Popet

MAIN APPLICATIONS



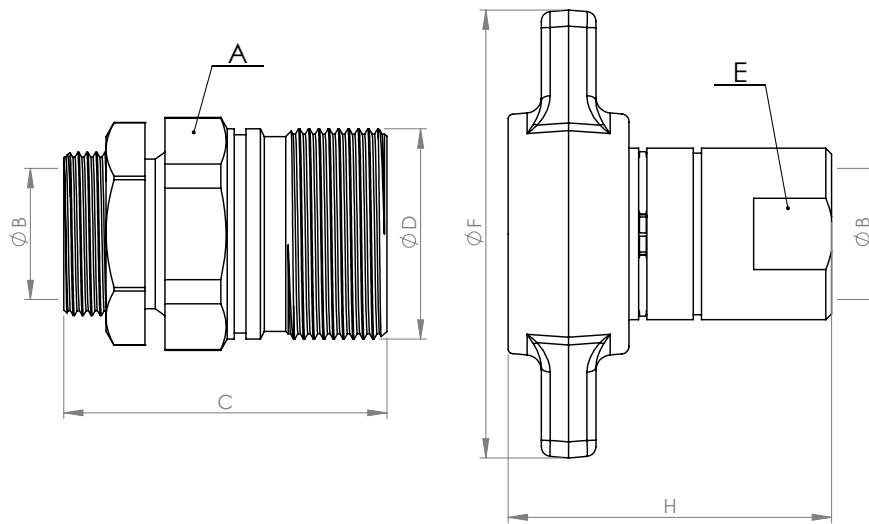
INFORMATION

- Screw to connect design eliminates brinelling.
- Connection under residual pressure is allowed on both sides.
- Disconnection under residual pressure is allowed.
- Top quality elastomer seals provide maximum sealing.
- Male has external thread for bulkhead mounting.
- The design prevents pressure drops and turbulences.
- Durable, safe, compact and easy to use design.
- Please clean the mating surfaces thoroughly before connecting, in order to prevent contaminants to enter into the system.
- Please make sure that the male and female parts are aligned properly to achieve full connection.

WARNING

- Connection and disconnection under dynamic pressure is not allowed.
- Connection and disconnection is not allowed when the temperature of the circulating fluid is above 80°C / 176°F.
- Make sure the system pressure is below the maximum working pressure.
- Please ensure that the OLEOCON product you have chosen is compatible with the temperature, material and pressure requirements of your system.
- Please contact OLEOCON technical support for any further questions.

TECHNICAL DRAWING



BODY SIZE	DESCRIPTION	COUPLING GENDER	THREAD TYPE	Hex			THREAD SIZE(B)	DIAMETER			LENGTH		WEIGHT		
				A	mm	inch		D	mm	inch	C	mm	inch	kg	lbs
19	QC-EST-20A-G34	FEMALE	BSP	A	46	1.81	3/4"	D	44.4	1.75	C	78	3.07	0.72	1.587
	QC-EST-20B-G34	MALE	BSP	E	33	1.3	3/4"	F	115	4.53	H	78	3.07	0.83	1.83
25	QC-EST-25A-G1	FEMALE	BSP	A	55	2.17	1"	D	54	2.13	C	83	3.27	0.89	1.962
	QC-EST-25B-G1	MALE	BSP	E	40	1.57	1"	F	115	4.53	H	83	3.27	0.85	1.874

BODY SIZE	WORKING PRESSURE						BURST PRESSURE					
	COUPLE		FEMALE		MALE		COUPLE		FEMALE		MALE	
	MPa	PSI	MPa	PSI	MPa	PSI	MPa	PSI	MPa	PSI	MPa	PSI
19	35	5076	35	5076	35	5076	132.5	19213	130	18850	110	15950
25	30	4351	30	4351	30	4351	132.5	19213	90	13050	120	17400

BODY SIZE	RATED FLOW			FLUID LOSS PER DIS-CONNECT	CONNECTING FORCE		DISCONNECTING FORCE	
	PRES.DROP (kPa)	L/MIN	GPM		ml	N	lbf	N
19	220	106	23.34	9.3	2.5	1.84	2.2	1.62
25	270	189	41.62	15	3	2.22	2.5	1.84