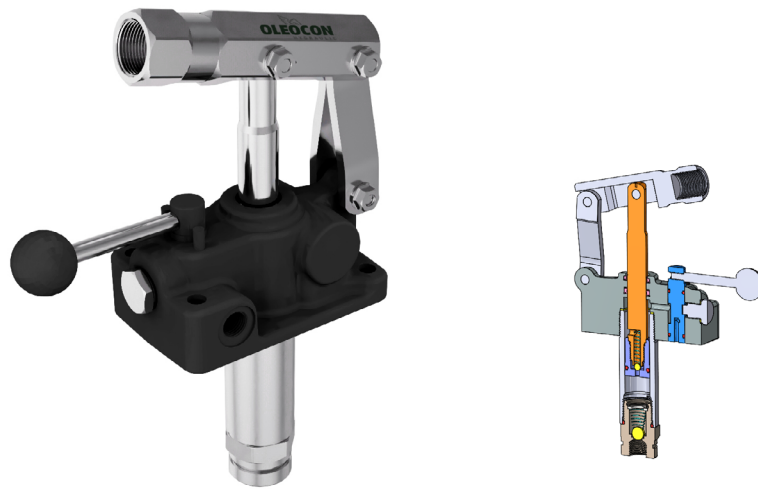


DOUBLE ACTION TWO WAY HAND PUMP



TECHNICAL FEATURES AND OPTIONS

3D SECTION



Working Temperature
-20 °C / +80 °C



Available Threads
BSP



Operating Pressure
Up to 310 Bar



Sealing Description
NBR



Available Sizes
25 cc to 45 cc



Material
GGG40

MAIN APPLICATIONS



OIL & GAS



AGRICULTURE



HYDRAULIC INDUSTRY



EARTH MOVING



HYDRAULIC EQUIPMENT



CONCRETE VEHICLES



VEHICLES



CHEMICAL INDUSTRY

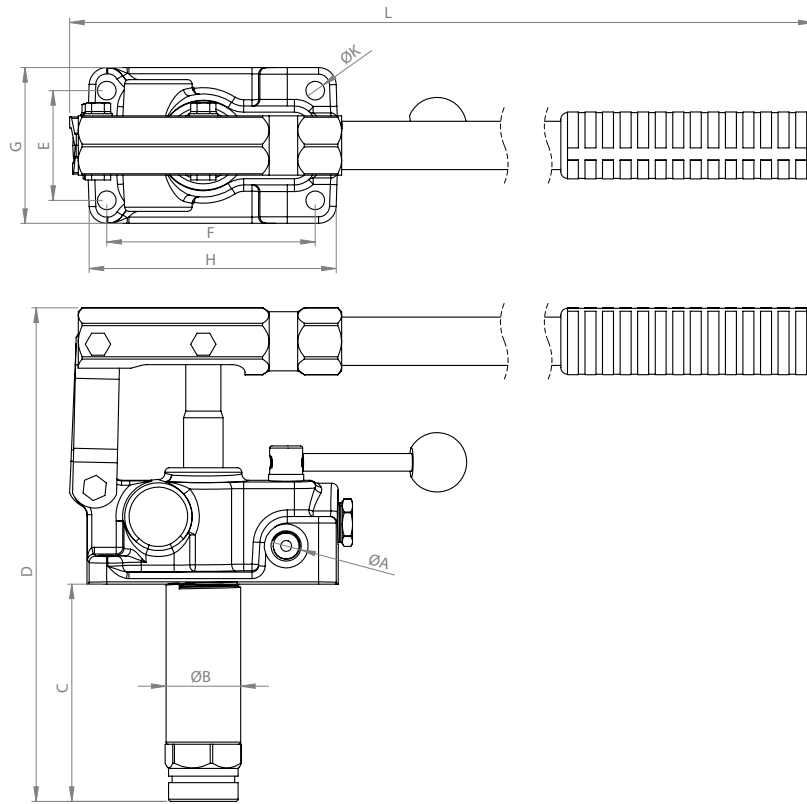
WARNING

- Please be void of abnormal operating conditions. (For e.g., oscillations, impulse pressures, water hammering, cavitation, and proportions of solid materials and abrasives.)
- Please do not touch the valves at working temperature s lower than -20°C or higher than +50°C
- Please ensure the cleanliness of all connection surfaces to avoid dirt or dust accumulation in the circuit.
- Please ensure the alignment and full connection of the assembly parts.
- Please do not use over the maximum working pressures.
- Please ensure that the OLEOCON product series you have chosen is compatible with the temperature , material, and pressure requirements of your system.
- Please contact with OLEOCON technical support for any further questions.

INFORMATION

- Double acting hand pumps suitable to operate double acting applications. They can be fitted also into tank and are equipped with tapered lowering valve and with built-in adjustable relief valve.
- These hand pumps can have 2 different sizes to perform various applications and to achieve smoother loads on the lever.
- They are available with nodular cast-iron body zinc plating+sealed and nickel- plated spool.
- Simple to use

TECHNICAL DRAWING



SIZE	DESCRIPTION	PORT A	DIAMETER				LENGTH						ØK (mm)	Flow (cc)	WEIGHT		PRESSURE			
			mm		inch		mm		inch		mm				inch		kg	lbs	MPa	Psi
			B	L	C	D	E	F	G	H										
25	OHP-25-2A-2W	G1/4	B	36	1,41	C	105	4,13	E	50	1,96	G	71	2,79	8,5	25	2950	6490	35	5075
			L	560	22,04	D	230	9,05	F	95	3,74	H	115	4,52						
45	OHP-45-2A-2W	G1/4	B	40	1,57	C	115	4,52	E	50	1,96	G	71	2,79	8,5	45	3000	6600	15	2175
			L	560	22,04	D	230	9,05	F	95	3,74	H	115	4,52						