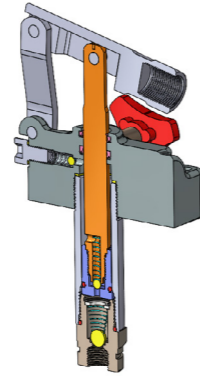
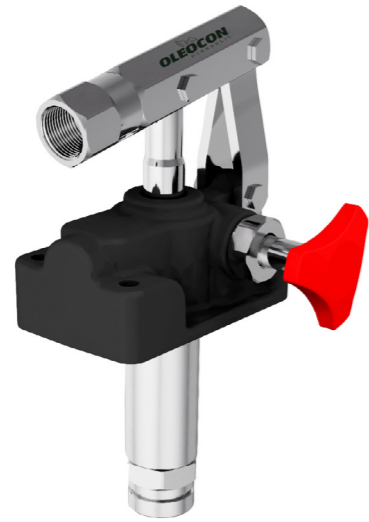


# SINGLE ACTION ONE WAY HAND PUMP



[CLICK HERE FOR 3D SECTION](#)

## TECHNICAL FEATURES AND OPTIONS



**Working Temperature**  
-20 °C / +80 °C



**Available Threads**  
BSP



**Operating Pressure**  
Up to 310 Bar



**Sealing Description**  
NBR

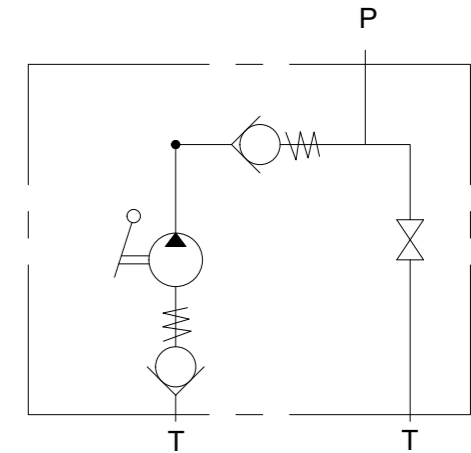
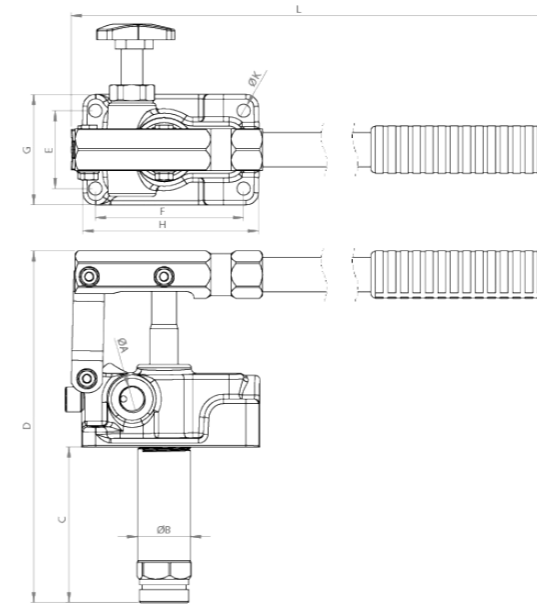


**Available Sizes**  
25 cc



**Material**  
GGG40

## TECHNICAL DRAWING



SIZE	DESCRIPTION	PORT A	DIAMETER		LENGTH						ØK (mm)	Flow (cc)	WEIGHT		PRESSURE					
			mm	inch	mm	inch	mm	inch	mm	inch			mm	inch	kg	lbs	MPa	Psi		
25	OHP-25-1A-1W	G3/8	B	36	1,41	C	105	4,13	E	50	1,96	G	71	2,79	8,5	25	2950	6490	31	4496
			L	560	22,04	D	230	9,05	F	95	3,74	H	115	4,52						

## MAIN APPLICATIONS



OIL & GAS



AGRICULTURE



HYDRAULIC INDUSTRY



EARTH MOVING



HYDRAULIC EQUIPMENT



CONCRETE VEHICLES



VEHICLES



CHEMICAL INDUSTRY

INFORMATION

- OLEOCON Single Action One Way Hand Pumps are suitable for single acting cylinders.
- They have 2 handle options, in order to provide precise control over various loads and systems.
- The body is made of cast-iron and the spool is nickel-plated.
- Easy-to-use.

WARNING

- Please do not expose to abnormal operating conditions. (E.g. oscillations, impulse pressures, water hammering, cavitation, and proportions of solid materials and abrasives)
- Please do not touch the product, when the working temperature is lower than -20°C or higher than +50°C.
- Make sure the system pressure is below the maximum working pressure.
- Please ensure the cleanliness of all connection surfaces to avoid dirt or dust accumulation in the circuit.
- Please ensure the alignment and full connection of the assembly parts.
- Please ensure that the OLEOCON product you have chosen is compatible with the temperature, material and pressure requirements of your system.
- Please contact OLEOCON technical support for any further questions.