

POPPET SCREW - QC - STC SERIES

NPT

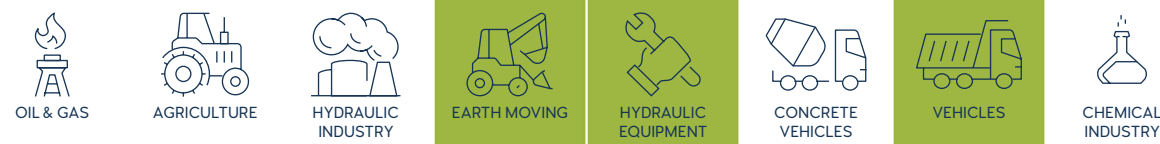


[CLICK HERE FOR 3D SECTION](#)

TECHNICAL FEATURES AND OPTIONS

- Locking Mechanism**
Screw to Connect
- Flow Rate**
Up to 189 l / min
- Material**
Carbon Steel
Stainless Steel
- Working Temperature**
-20 °C / +90 °C
- Interchange**
ISO 14541
- How to Connect**
Screw
- Operating Pressure**
Up to 350 Bar
- Available Threads**
BSP - NPT - Metric - SAE
- Under Residual Pressure**
Connection: Both Side
Disconnection: Allowed
- Available Sizes**
From 1/4" to 1"
- Sealing Description**
NBR - FKM
- Valve Type**
Poppet

MAIN APPLICATIONS



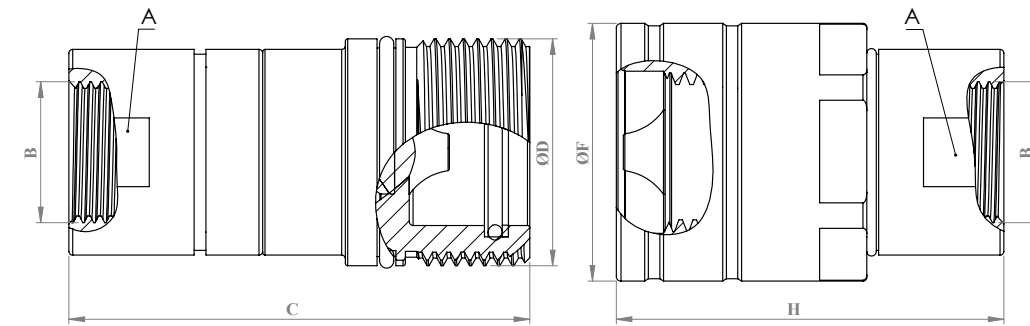
INFORMATION

- Connection under residual pressure is allowed on both sides.
- Disconnection under residual pressure is allowed.
- Top quality elastomer seals provide maximum sealing.
- The external sealing ring ensures a solid connection and prevents disconnection due to vibration.
- The design prevents pressure drops and turbulences.
- Durable, safe, compact and easy to use design.
- Please clean the mating surfaces thoroughly before connecting, in order to prevent contaminants to enter into the system.
- Please make sure that the male and female parts are aligned properly to achieve full connection.

WARNING

- Connection and disconnection under dynamic pressure is not allowed.
- Connection and disconnection is not allowed when the temperature of the circulating fluid is above 80°C / 176°F.
- Make sure the system pressure is below the maximum working pressure.
- Please ensure that the OLEOCON product you have chosen is compatible with the temperature, material and pressure requirements of your system.
- Please contact OLEOCON technical support for any further questions.

TECHNICAL DRAWING



BODY SIZE	DESCRIPTION	COUPLING GENDER	THREAD TYPE	Hex		THREAD SIZE(B)	DIAMETER		LENGTH		WEIGHT				
				mm	inch		mm	inch	mm	inch	kg	lbs			
6.3	QC-STC-6A-NPT14	FEMALE	BSP	A	17	0.66	1/4"	D	M24*2	-	C	61,7	2,42	0,14	0,308
	QC-STC-6B-NPT14	MALE	BSP	E	30	1,18	1/4"	F	34	-	H	59	2,32	0,23	0,48
10	QC-STC-10A-NPT38	FEMALE	BSP	A	22	0,86	3/8"	D	M28*2	-	C	62,9	2,47	0,18	0,37
	QC-STC-10B-NPT38	MALE	BSP	E	30	1,18	3/8"	F	34	-	H	60,5	2,38	0,23	0,48
12.5	QC-STC-12A-NPT12	FEMALE	BSP	A	27	1,06	1/2"	D	M36*2	-	C	69	2,71	0,32	0,66
	QC-STC-12B-NPT12	MALE	BSP	E	36	1,41	1/2"	F	42,1	-	H	63,8	2,51	0,31	0,66
19	QC-STC-20A-NPT34	FEMALE	BSP	A	32	1,25	3/4"	D	M42*2	-	C	85,5	3,36	0,49	1,05
	QC-STC-20B-NPT34	MALE	BSP	E	41	1,61	3/4"	F	48,5	-	H	76	2,99	0,47	1,01
25	QC-STC-25A-NPT1	FEMALE	BSP	A	41	1,61	1"	D	M48*3	-	C	97,5	3,83	0,72	1,51
	QC-STC-25B-NPT1	MALE	BSP	E	50	1,96	1"	F	54,5	-	H	82	3,22	0,68	1,45

ASME.B1.20.1.NPT

BODY SIZE	WORKING PRESSURE						BURST PRESSURE					
	COUPLE		FEMALE		MALE		COUPLE		FEMALE		MALE	
	MPa	PSI	MPa	PSI	MPa	PSI	MPa	PSI	MPa	PSI	MPa	PSI
6	35	5075	35	5075	35	5075	140	20300	140	20300	140	20300
10	30	4350	30	4350	30	4350	120	17400	120	17400	120	17400
12.5	30	4350	30	4350	30	4350	120	17400	120	17400	120	17400
19	25	3625	25	3625	25	3625	100	14500	100	14500	100	14500
25	20	2900	20	2900	20	2900	80	11600	80	11600	80	11600