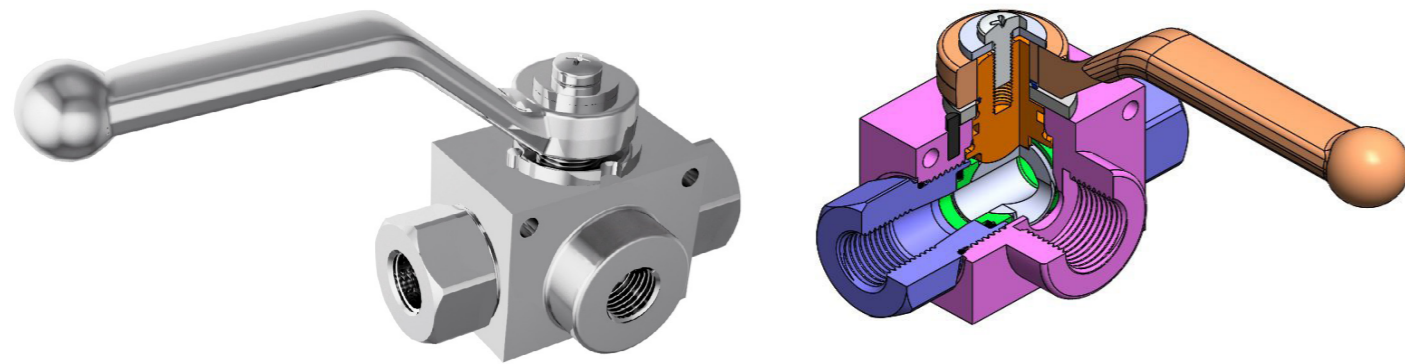


# BALL VALVES - KV3T SERIES

BSP - NPT - UNF

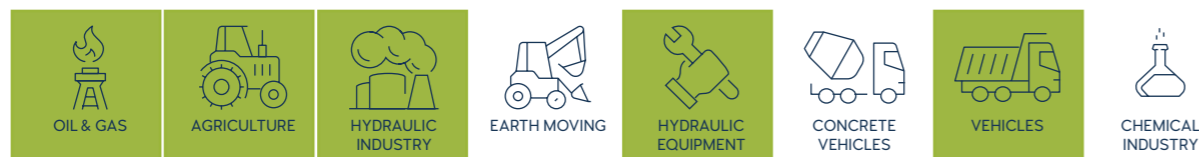


[CLICK HERE FOR 3D SECTION](#)

## TECHNICAL FEATURES AND OPTIONS

- Working Temperature**  
-20 °C / +80 °C
- Material**  
High Strength Carbon Steel  
Stainless Steel
- Operating Pressure**  
Up to 500 Bar
- Available Threads**  
BSP - NPT - SAE - Metric
- Body Sizes**  
DN10-25
- Sealing Description**  
NBR - FKM - PTFE - EPDM

## MAIN APPLICATIONS



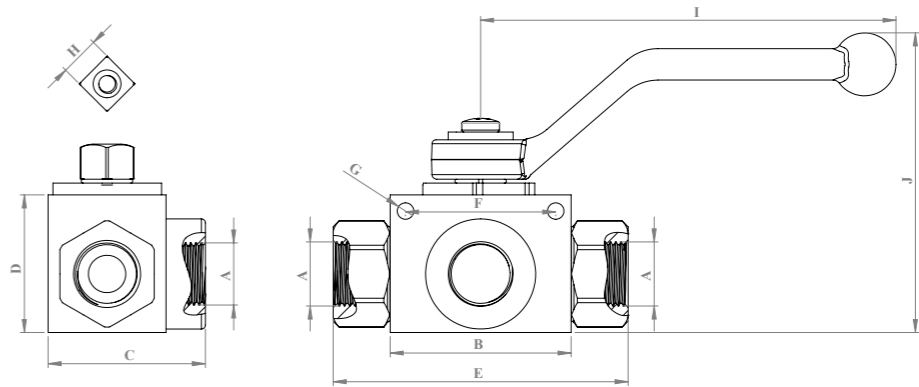
INFORMATION

- OLEOCON T Port 3 Way Ball Valves direct the flow from the inlet port to one or both of the 2 outlet ports, without restricting the flow.
- The volumetric structure enables rapid and smooth flow and prevents cavitation.
- KV3 Series Ball Valves can be locked open or closed by changing the position of the lock plate.
- The internal ball is made of hard chrome coated steel and the seat is of delrin (POM).

WARNING

- Please ensure that the flow rate is within the usual values.
- Please do not expose to abnormal operating conditions. (E.g. oscillations, impulse pressures, water hammering, cavitation, and proportions of solid materials and abrasives)
- Please do not touch the valves, when the working temperature is lower than -20°C or higher than +50°C.
- Make sure the system pressure is below the maximum working pressure.
- Please ensure the cleanliness of all connection surfaces to avoid dirt or dust accumulation in the circuit.
- Please ensure the alignment and full connection of the assembly parts.
- Please ensure that the OLEOCON product you have chosen is compatible with the temperature, material and pressure requirements of your system.
- Please contact OLEOCON technical support for any further questions.

## TECHNICAL DRAWING



SIZE DN	DESCRIPTION	A	B		C		D		E		F		G		H		I		J		WEIGHT	
			mm	inch	mm	inch	mm	inch	mm	inch	mm	inch	mm	inch	mm	inch	mm	inch	mm	inch	kg	inch
10	KV3T-10-G14	1/4	46	1.81	40	1.18	35	1.37	75	2.95	38	1.49	42	0.16	10	0.39	108	5.74	76	2.99	0.48	1.06
	KV3T-10-G38	3/8	46	1.81	40	1.18	35	1.37	75	2.95	38	1.49	42	0.16	10	0.39	108	5.74	76	2.99	0.45	0.99
12.5	KV3T-12-G12	1/2	51	2	50	1.37	40	1.57	82.5	3.24	41.5	1.63	5	0.19	10	0.39	108	7.48	82	3.22	0.66	1.46
20	KV3T-20-G34	3/4	61	2.4	60	1.77	55	2.16	92	3.62	50	1.96	6.5	0.25	14	0.55	175	8.7	110	4.33	1.31	2.90
	KV3T-25-G1	1	71	2.79	76	2.16	60	2.36	116	4.56	58	2.28	6.5	0.25	14	0.55	175	9.17	114	4.48	1.87	4.15
25	KV3T-25-G114	1 1/4	71	2.79	90	2.16	60	2.36	130	5.11	58	2.28	6.5	0.25	14	0.55	175	9.44	114	4.48	2.80	6.21
	KV3T-25-G112	1 1/2	71	2.79	90	2.16	60	2.36	136	5.35	58	2.28	6.5	0.25	14	0.55	175	9.56	114	4.48	2.90	6.43

ISO 1179-1 BSPP

SIZE DN	DESCRIPTION	A	B		C		D		E		F		G		H		I		J		WEIGHT	
			mm	inch	mm	inch	mm	inch	mm	inch	mm	inch	mm	inch	mm	inch	mm	inch	mm	inch	kg	inch
10	KV3T-10-NPT14	1/4	46	1.81	40	1.18	35	1.37	75	2.95	38	1.49	42	0.16	10	0.39	108	5.74	76	2.99	0.48	1.06
	KV3T-10-NPT38	3/8	46	1.81	40	1.18	35	1.37	75	2.95	38	1.49	42	0.16	10	0.39	108	5.74	76	2.99	0.45	0.99
12.5	KV3T-12-NPT12	1/2	51	2	50	1.37	40	1.57	82.5	3.24	41.5	1.63	5	0.19	10	0.39	108	7.48	82	3.22	0.66	1.46
20	KV3T-20-NPT34	3/4	61	2.4	60	1.77	55	2.16	92	3.62	50	1.96	6.5	0.25	14	0.55	175	8.7	110	4.33	1.31	2.90
	KV3T-25-NPT1	1	71	2.79	76	2.16	60	2.36	116	4.56	58	2.28	6.5	0.25	14	0.55	175	9.17	114	4.48	1.87	4.15
25	KV3T-25-NPT114	1 1/4	71	2.79	90	2.16	60	2.36	130	5.11	58	2.28	6.5	0.25	14	0.55	175	9.44	114	4.48	2.80	6.21
	KV3T-25-NPT112	1 1/2	71	2.79	90	2.16	60	2.36	136	5.35	58	2.28	6.5	0.25	14	0.55	175	9.56	114	4.48	2.90	6.43

ASME B1.201 NPT

SIZE DN	DESCRIPTION	A	B		C		D		E		F		G		H		I		J		WEIGHT	
			mm	inch	mm	inch	mm	inch	mm	inch	mm	inch	mm	inch	mm	inch	mm	inch	mm	inch	kg	inch
10	KV3T-10-SAE4	7/16 UNF	46	1.81	40	1.18	35	1.37	75	2.95	38	1.49	42	0.16	10	0.39	108	5.74	76	2.99	0.48	1.06
	KV3T-10-SAE6	9/16 UNF	46	1.81	40	1.18	35	1.37	75	2.95	38	1.49	42	0.16	10	0.39	108	5.74	76	2.99	0.45	0.99
12.5	KV3T-12-SAE8	3/4 UNF	51	2	50	1.37	40	1.57	82.5	3.24	41.5	1.63	5	0.19	10	0.39	108	7.48	82	3.22	0.66	1.46
20	KV3T-20-SAE12	1 1/8 UN	61	2.4	60	1.77	55	2.16	92	3.62	50	1.96	6.5	0.25	14	0.55	175	8.7	110	4.33	1.31	2.90
	KV3T-25-SAE16	1 5/16 UN	71	2.79	76	2.16	60	2.36	116	4.56	58	2.28	6.5	0.25	14	0.55	175	9.17	114	4.48	1.87	4.15
25	KV3T-25-SAE20	1 5/8 UN	71	2.79	90	2.16	60	2.36	130	5.11	58	2.28	6.5	0.25	14	0.55	175	9.44	114	4.48	2.80	6.21
	KV3T-25-SAE24	1 7/8 UN	71	2.79	90	2.16	60	2.36	136	5.35	58	2.28	6.5	0.25	14	0.55	175	9.56	114	4.48	2.90	6.43

ISO 11926-1

WORKING PRESSURE													
10(6)		10		12		20		25		25 (31.5)		25 (40)	
MPa	Psi	MPa	Psi	MPa	Psi	MPa	Psi	MPa	Psi	MPa	Psi	MPa	Psi
50	7250	50	7250	50	7250	40	5800	40	5800	35	5075	35	5075