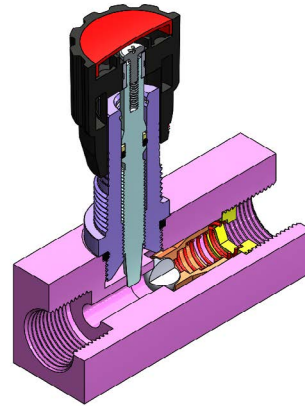


# UNIDIRECTIONAL FLOW CONTROL VALVES - FUV SERIES



## TECHNICAL FEATURES AND OPTIONS

## 3D SECTION



Working Temperature  
-20 °C / +80 °C



Material  
Carbon Steel



Operating Pressure  
Up to 350 Bar



Available Threads  
BSP - NPT - SAE

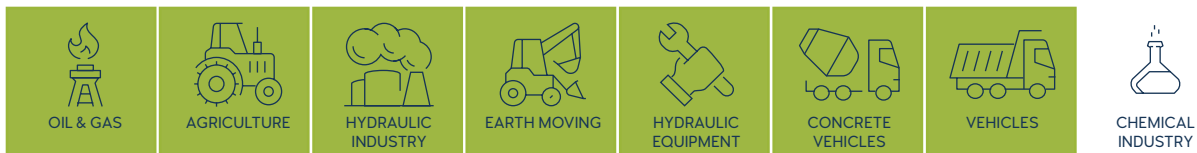


Available Sizes  
From 1/4" to 1/2"



Sealing Description  
NBR

## MAIN APPLICATIONS



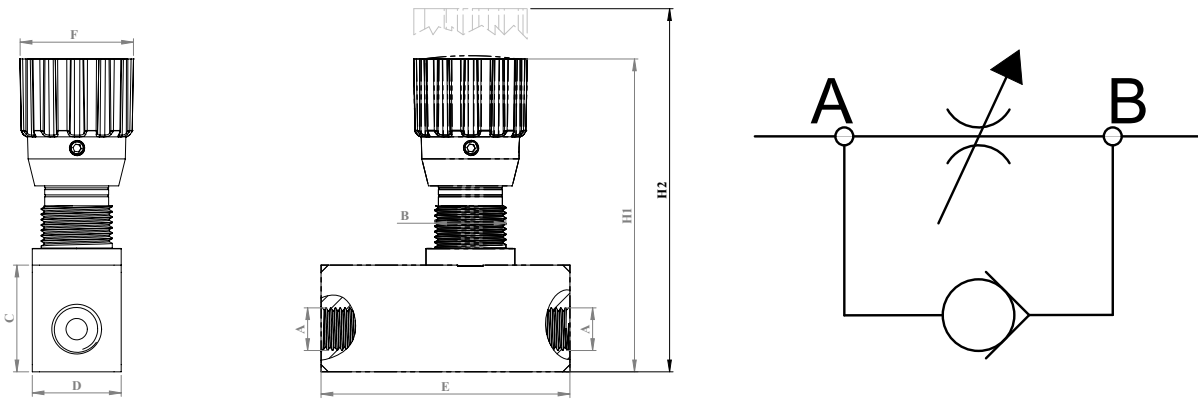
### WARNING

- Please be void of abnormal operating conditions. (For e.g., oscillations, impulse pressures, water hammering, cavitation, and proportions of solid materials and abrasives.)
- Please do not touch the valves at working temperature s lower than -20°C or higher than +50°C
- Please ensure the cleanliness of all connection surfaces to avoid dirt or dust accumulation in the circuit.
- Please ensure the alignment and full connection of the assembly parts.
- Please do not use over the maximum working pressures.
- Please ensure that the OLEOCON product series you have chosen is compatible with the temperature , material, and pressure requirements of your system.
- Please contact with OLEOCON technical support for any further questions.

### INFORMATION

- FUV Series hydraulic flow control valves with check allow shut-off and the adjustment of the flow in one direction and free flow passage in the opposite direction via the built-in check valve.
- Flow control valves provide reliable and easy control of fluid by means of the control knob allows adjustments.
- The setscrew on the knob allows the knob to be locked, preventing movements and changes due to vibration.
- FUV Series flow control valves are widely used in many fields especially in industrial units and elevating platforms by controlling and protecting of fluid power precisely and providing accurate settings for fluid speed.

## TECHNICAL DRAWING



DESCRIPTION	THREAD SIZE (A)	THREAD SIZE (B)	LENGTH								WORKING PREEnsure		RATED FLOW		WEIGHT		
				mm	inch		mm	inch		mm	inch	MPa	psi	l/min	gpm	kg	lbs
OL-06-FUV-G14	G1/4	M20*1.5	C	30	1.18	E	70	2.75	H1	88	3.46	35	5075	20	5.2	0.55	1.21
			D	25	0.98	F	32	1.25	H2	97	3.81						
OL-06-FUV-NPT14	1/4 NPT	M20*1.5	C	30	1.18	E	70	2.75	H1	88	3.46	35	5075	20	5.2	0.55	1.210
			D	25	0.98	F	32	1.25	H2	97	3.81						
OL-06-FUV-SAE4	7/16 -20UNF	M20*1.5	C	30	1.18	E	70	2.75	H1	88	3.46	35	5075	20	5.2	0.55	1.210
			D	25	0.98	F	32	1.25	H2	97	3.81						
OL-10-FUV-G38	G 3/8	M20*1.5	C	30	1.18	E	80	3.14	H1	88	3.46	35	5075	30	7.9	0.57	1.254
			D	25	0.98	F	32	1.25	H2	97	3.81						
OL-10-FUV-NPT38	3/8 NPT	M20*1.5	C	30	1.18	E	80	3.14	H1	88	3.46	35	5075	30	7.9	0.57	1.254
			D	25	0.98	F	32	1.25	H2	97	3.81						
OL-10-FUV-SAE6	9/16-18 UNF	M20*1.5	C	30	1.18	E	80	3.14	H1	88	3.46	35	5075	30	7.9	0.57	1.254
			D	25	0.98	F	32	1.25	H2	97	3.81						
OL-12-FUV-G12	G 1/2	M22*1.5	C	35	1.37	E	90	3.5	H1	94	3.7	35	5075	50	13.2	0.69	1.518
			D	30	1.18	F	32	1.25	H2	103	4.05						
OL-12-FUV-NPT12	1/2 NPT	M22*1.5	C	35	1.37	E	90	3.5	H1	94	3.7	35	5075	50	13.2	0.69	1.518
			D	30	1.18	F	32	1.25	H2	103	4.05						
OL-12-FUV-SAE8	3/4-16 UNF	M22*1.5	C	35	1.37	E	90	3.5	H1	94	3.7	35	5075	50	13.2	0.69	1.518
			D	30	1.18	F	32	1.25	H2	103	4.05						